

## XP

Passthrough Dishwasher – 500mm rack  
**W 730mm x D 720mm x H 1530mm**

The Washtech XP is a versatile, simple-to-use and easy-to-maintain passthrough dishwasher. With one of the industry's lowest water consumption rates, powerful 1HP wash pump, and rapid rinse heating the XP is highly productive, economical to operate and light on the environment.

The XP features Washtech Hybrid Controls which combine IP65 stainless switches and tried-and-tested switchgear with a customisable electronic timer. In addition it is equipped with a heavy duty stainless steel wash manifold and scrap trays, and is supplied suitable for connection to either single or three phase power supplies.

Since 1981 Washtech dishwashers have been constructed from heavy-duty stainless steel, and are engineered specifically for Australian conditions and regulations. Backed by the most extensive service network and spare parts inventory in the region, your Washtech XP will not let you down.

### Standard Features

- 60, 120 and 180 second cycles – autostart upon hood closure
- Capacity of up to 1,500 plates / 1,080 glasses per hour
- Low hot water consumption of 2.2 litres per cycle
- Sanitising rinse of >82°C
- Heavy-duty stainless steel construction and wash manifold
- Heavy-duty stainless steel scrap trays
- Washtech Hybrid controls
- Quick connection including:
  - Water supply hose
  - Detergent and rinse aid pumps with injector lines
  - Drain pump with outlet hose
  - 15 amp plugset
  - No commissioning required
- Self-cleaning cycle
- Watermark approved backflow prevention
- Moffat's comprehensive 5-2-1 Warranty

### Includes:

- 1 x 500mm dish rack (600 70028)
- 1 x 500mm cup rack (600 70029)
- 1 x cutlery container (C660503)



### Moffat Pty Limited

#### VIC/TAS/SA

70 Springvale Road  
Mulgrave, Victoria 3170  
Telephone 03-9518 3888  
Fax 03-518 3833  
vsales@moffat.com.au

#### NSW

Telephone 02-8833 4111  
nswsales@moffat.com.au

#### QLD

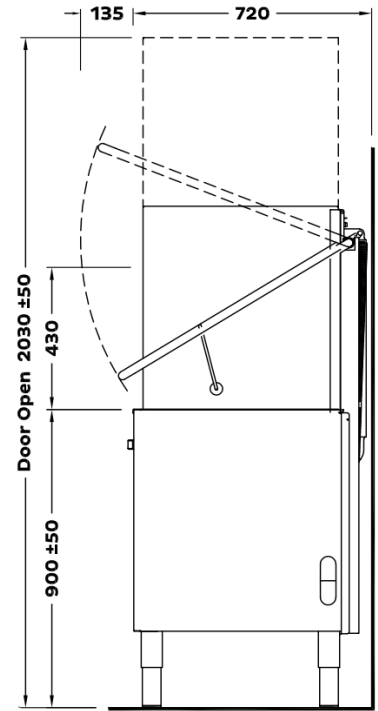
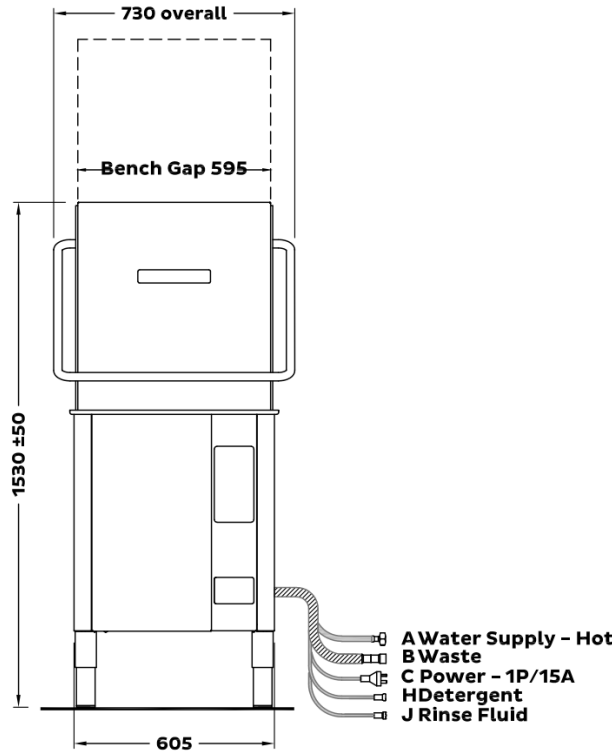
Telephone 07-3630 8600  
qldsales@moffat.com.au

#### WA

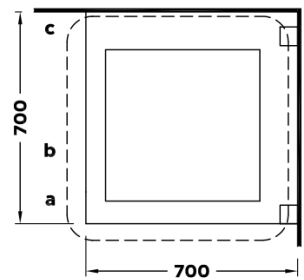
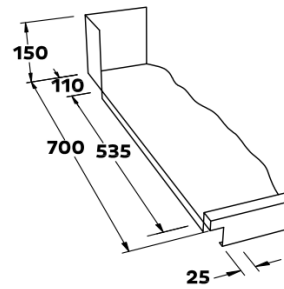
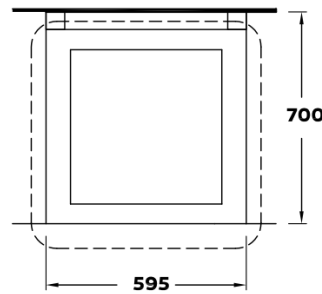
Telephone 08-9202 6820  
wasales@moffat.com.au

In line with policy to continually develop and improve its products, Washtech reserves the right to change specifications and design without notice.

© Copyright Moffat Ltd  
Version: WXP0031 2003



Bench detail



### A - Hot Water

Temperature 65°C  
Connection 3/4" male; hose supplied  
Pressure 200-350kPa  
Flow 20 litres per min  
Quality Potable - refer table  
Backflow Prevention AVB  
Consumption 2.2 litres per cycle\*

### B - Waste - Pumped Drain

Connection 20mm male; drain pump outlet hose supplied (up to 25mm connection)  
Outlet Temp No greater than wash water temp (default = 60°C to 65°C)

| C - Electrical | V   | Hz | A/phase | Max kW |
|----------------|-----|----|---------|--------|
| Single Phase   | 240 | 50 | 15      | 3.75   |
| Three Phase    | 415 | 50 | 15      | 9.00   |

### Corner Installation Notes

- Machine must face left for easy access to controls
- Allow 300 clearance to front for service access
- Splashback return must be no higher than 150

Isolating switch must be within 1m of, and not directly behind the machine.

### Dimensions

|                          | Machine | Packed |
|--------------------------|---------|--------|
| Width (mm)               | 730     | 760    |
| Depth (mm)               | 720     | 830    |
| Height (mm)              | 1530    | 1450   |
| Weight (kg)              | 94      | 125    |
| Volume (m <sup>3</sup> ) |         | 0.91   |

### Water Quality

|                 | Min | Max  |
|-----------------|-----|------|
| pH              | 7   | 8    |
| Hardness (ppm)  | 20  | 100  |
| Cl <sup>-</sup> |     | 100  |
| SO <sub>4</sub> |     | 400  |
| Fe              |     | 0.1  |
| Mn              |     | 0.5  |
| Cu              |     | 0.05 |
| Cl <sub>2</sub> |     | 0.1  |

\* Water consumption rates may vary based on site conditions.

Refer to operator manual for installation instructions.