

## Single Plate Contact Toaster W.GPC350

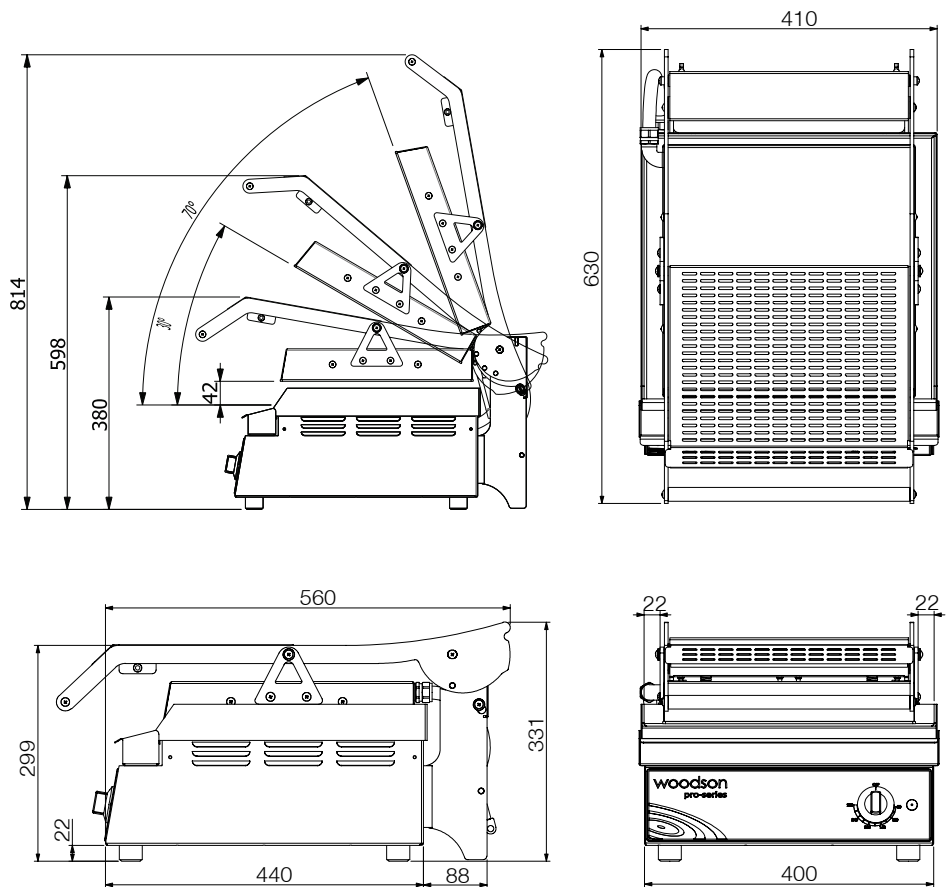


### Product Information:

- Spring balanced upper plate limits crushing of product
- Single top plate (350 x 350mm)  
large bottom plate (400 x 360mm)
- Removable grease tray to front
- Thermostat control, 80°C- 280°C
- Complete stainless steel body & arms
- Easy clean design with fully enclosed lifting assembly
- Easily removed protective heat shield for increased operator safety
- Gas strut assisted top plate for easy operation and controlled weight to product

### Specifications:

<b>Model</b>	<b>W.GPC350</b>
<b>Height</b>	331mm
<b>Width</b>	410mm
<b>Depth</b>	630mm
<b>Weight</b>	22kg
<b>Power</b>	2.2kW
	10A plug & lead fitted



Due to continuous product research and development, the information contained herein is subject to change without notice.

Revision: C - 28/08/2020

[www.stoddart.com.au](http://www.stoddart.com.au)

[www.stoddart.co.nz](http://www.stoddart.co.nz)