

Panasonic

COMMERCIAL
MICROWAVE OVENS
NE-1853



- 1800W of cooking power
- Compact size, heavy-duty performance
- 15 power levels & 5 stage cooking
- Dual power feed for more consistent even cooking
- Energy efficient LED lighting and LCD display
- Easy extension pad +10s/+20s heating




NE-1853

1800 Watt Commercial Microwave Oven

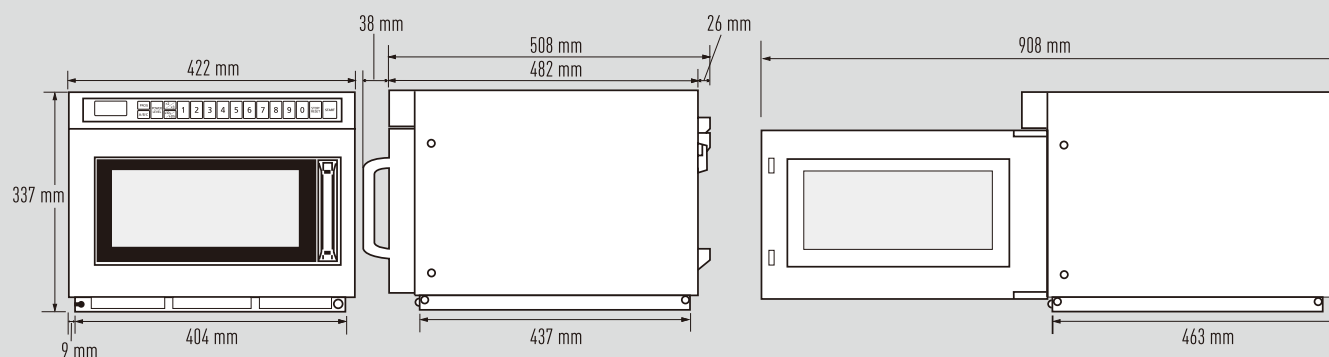


- 1800W of cooking power
- 2 magnetrons
- Dual power feed for more consistent even cooking
- Side Open
- Programmable memory pads
- 15 power levels
- 5 stage cooking
- Easy extension pad +10s/+20s
- 30 preset menu programs
- Programmable lock
- Easy to clean air filter
- Stainless steel cabinet & cavity
- Removable ceiling splatter shield
- Energy efficient LED lighting and LCD display
- Stackable

Technical Specifications

Model No.	NE-1853	
Capacity	18L (0.6cft)	
Output Power	1800W	
Power Source	240V, 50Hz Single Phase	
Plug Type	AS/NS4417 	
Required Power	12.3A 2830W	
Material	Face of Door/Base	Stainless Steel
	Cabinet	Stainless Steel
	Cavity	Stainless Steel
	Base plate	Sealed-in ceramic
Door Design	Side Open	
Program	Power Level	15 Levels
	Memory	30 programs
	Stage Cooking	5 stages
	Memory lock	Yes
	Multiple quantity keys	Yes (X2 for 2 dishes, X3 for 3 dishes)
	Extension Pad	Yes (+10s/+20s)
Display	LCD	
Oven Lamp	LED	
Stackable	Yes	
Outer Dimensions (WxDxH)	422 x 508 x 337 mm	
Cavity Dimensions (WxDxH)	330 x 310 x 175 mm	
Weight	Net	30 kg

* Specifications are subject to change without notice for further improvement.



Panasonic[®]

Printed in Japan OMD18-SPCMWO01E-1