

# L65IV Free Standing Cutter Processor

**YAZICILAR®**



The L65IV floor standing cutter is designed for clients who wish to achieve greater capacity with fewer machines. Robust construction and a heavy duty design promises longevity.

The four blade patented knife promises great performance in short time. The upper blades process the upper half of the bowl while the lower blades process the lower half. This way the product is evenly processed in the shortest possible time period while avoiding overheating and the spoiling of the end-product.

## Main Features

- Patented 4 blade design
- Intended for processing high density materials
- Increased flexibility with variable speed
- Reverse speed function to mix products with cutting
- Electronic timer and tilt lock

## DIMENSIONS

External Width	825
External Height	1190
External Depth	550

## AVAILABLE ACCESSORIES

- Curved serrated knife
- Curved flat knife
- Straight serrated knife

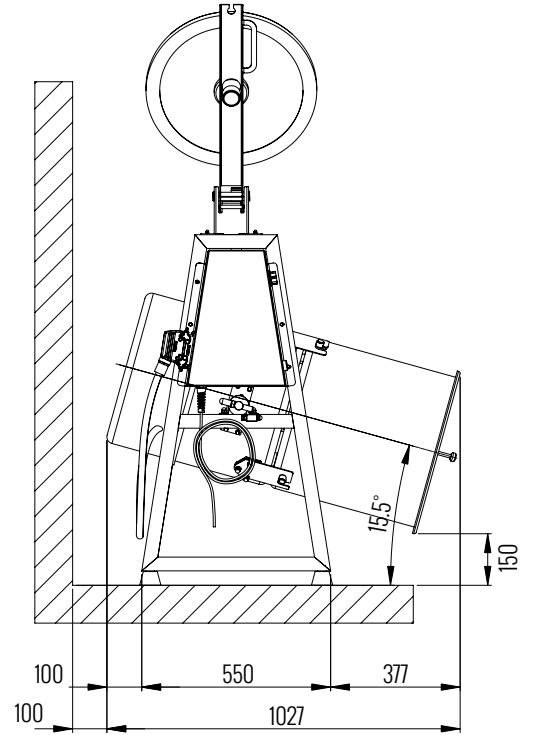
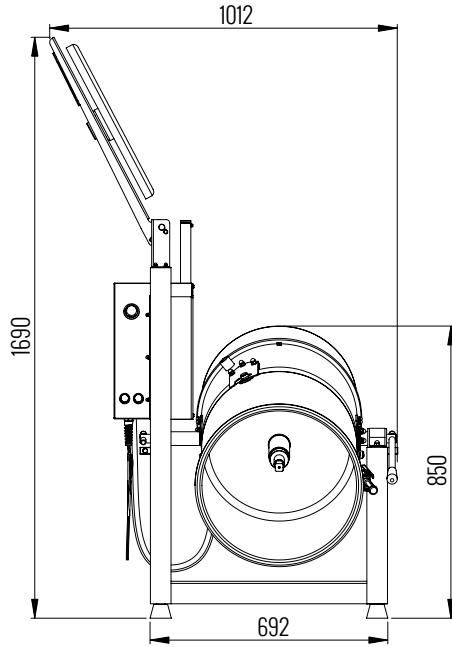
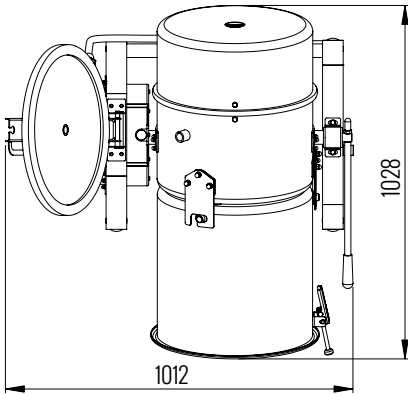
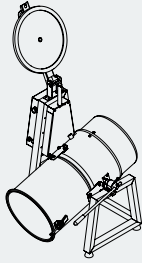
## SPECIFICATIONS

Voltage	380 volts, 50/60 Hz EN
Power	11000 Watts
Plug Supplied	No, lead only
Capacity	65 litres
Speed	600-3000 rpm
Capacity/Batch	22 kg (product)
Capacity/Hour	330 kg (product)
Weight	145 kg
Warranty	4 Year Parts & 2 Years Labour (Asset must be registered to activate full warranty)

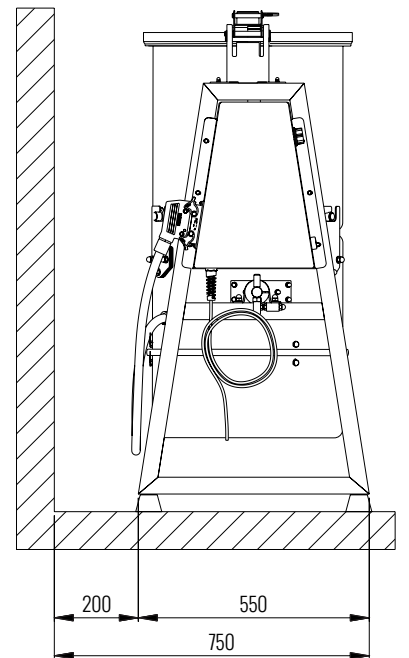
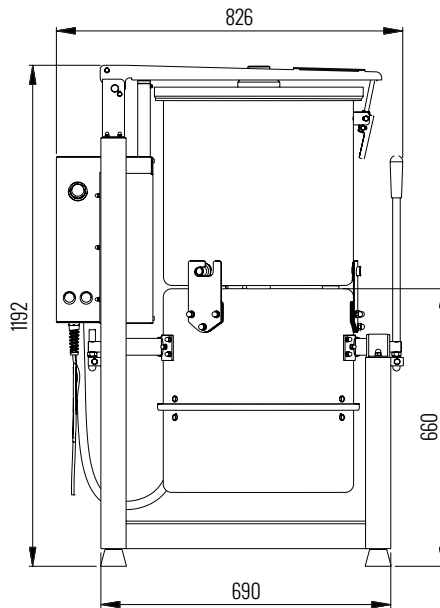
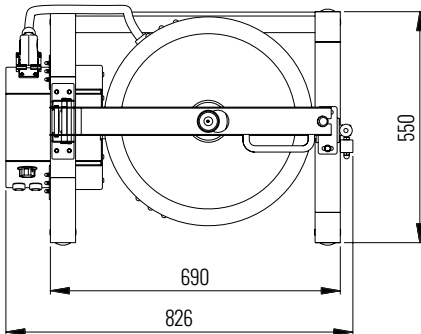
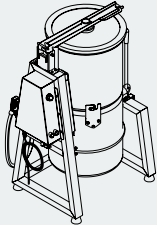


AGCEQUIPMENT.COM.AU | 1300 888 242

# HORIZONTAL



# VERTICAL



We reserve the right to alter specifications without notice.

