



# K+ SERIES: KBT-SB4-GRP6

## Combination Four Open Burners & 600mm Grill Plate on Stand

Project: \_\_\_\_\_ Item: \_\_\_\_\_



KBT-SB4-GRP6

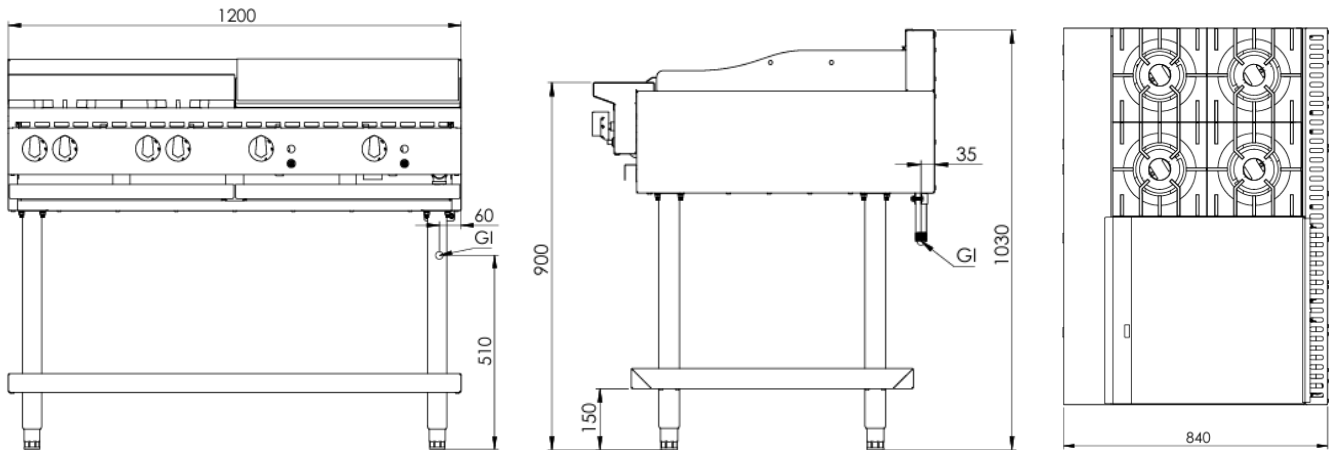
### Standard Features:

- AISI grade stainless steel
- Heavy duty complete stainless steel frame with undershelf
- 30MJ removable two-piece open cooktop burner (BT)
- 22MJ aluminised tube burner per 300mm section (GRP)
- Heavy duty cast iron boiling top trivets
- Heavy duty mild steel grill plate (16mm Thick)
- Top welded, smooth finish design
- Flame failure device included as standard
- Piezo ignition to pilot grill plate burner
- Multi-setting gas valve allows greater regulation of flame settings
- Easy access to all components for servicing and adjustments
- Easy to clean fat spillage trays and rear splashback heat deflectors

### Options:

- NG/LPG - Available in Natural or LP Gas
- PLT - Pilot light - per burner
- SPB - Spillage Bowl
- BM - Bench mounted
- CS - Non-swivel rear castors - Set of two

### Specifications:



MODEL	LENGTH (mm)	DEPTH (mm)	HEIGHT (mm)	NET WEIGHT (kg)	GAS CONSUMPTION (MJ/h)	
					NG	LPG
KBT-SB4-GRP6	1200	840	1030	170	164	144

### Connections:

GAS (GI) (BSP)	SUPPLY PRESSURE (kPa)	
	NG	LPG
3/4" (M)	1.0	2.6

- Gas regulator is supplied with the unit
- The unit must be installed by an authorised installer in accordance to **AS/NZS5601 refer to current version**

**Due to ongoing Product Development, Product Improvement and Research, B+S Commercial Kitchens reserves the right to alter specifications and the design of the product without notice.**

**Approval Number: GMK 10703**



B+S Commercial Kitchens  
57 Plateau Road Reservoir VIC 3073 Australia | +61 3 9469 4754  
info@bscommercialkitchens.com | www.bscommercialkitchens.com

