



# K+ SERIES: KBT-GRP9-CBR3

## Combination 900mm Grill Plate & 300mm Char Broiler on Stand

Project: \_\_\_\_\_ Item: \_\_\_\_\_



KBT-GRP9-CBR3

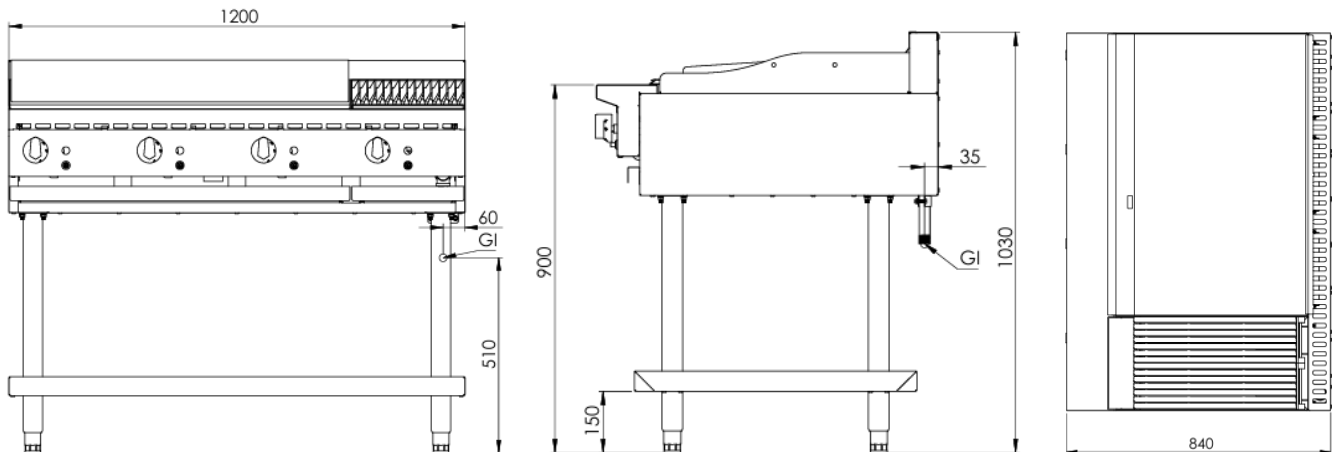
### Standard Features:

- AISI grade stainless steel
- Heavy duty complete stainless steel frame with undershelf
- 22MJ aluminised tube burner per 300mm section (GRP)
- 34MJ stainless steel U-Burner per 300mm section (CBR)
- Heavy duty mild steel grill plate (20mm Thick)
- Top welded, smooth finish design
- Heavy duty cast iron J-Grates & Radiant Hoods (CBR)
- Reversible J-Grates allow for an inclined or flat cooking surface
- Flame failure device included as standard
- Piezo ignition to pilot grill plate and char broiler burner
- Multi-setting gas valve allows greater regulation of flame settings
- Easy access to all components for servicing and adjustments
- Easy to clean fat spillage trays and rear splashback heat deflector

### Options:

- NG/LPG - Available in Natural or LP Gas
- BM - Bench mounted
- CS - Non-swivel rear castors - Set of two

### Specifications:



MODEL	LENGTH (mm)	DEPTH (mm)	HEIGHT (mm)	NET WEIGHT (kg)	GAS CONSUMPTION (MJ/h)	
					NG	LPG
KBT-GRP9-CBR3	1200	840	1030	205	100	96

### Connections:

GAS (GI) (BSP)	SUPPLY PRESSURE (kPa)	
	NG	LPG
3/4" (M)	1.0	2.6

- Gas regulator is supplied with the unit
- The unit must be installed by an authorised installer in accordance to **AS/NZS5601 refer to current version**

**Due to ongoing Product Development, Product Improvement and Research, B+S Commercial Kitchens reserves the right to alter specifications and the design of the product without notice.**

**Approval Number: GMK 10703**



B+S Commercial Kitchens  
57 Plateau Road Reservoir VIC 3073 Australia | +61 3 9469 4754  
info@bscommercialkitchens.com | www.bscommercialkitchens.com

