



# HOSHIZAKI

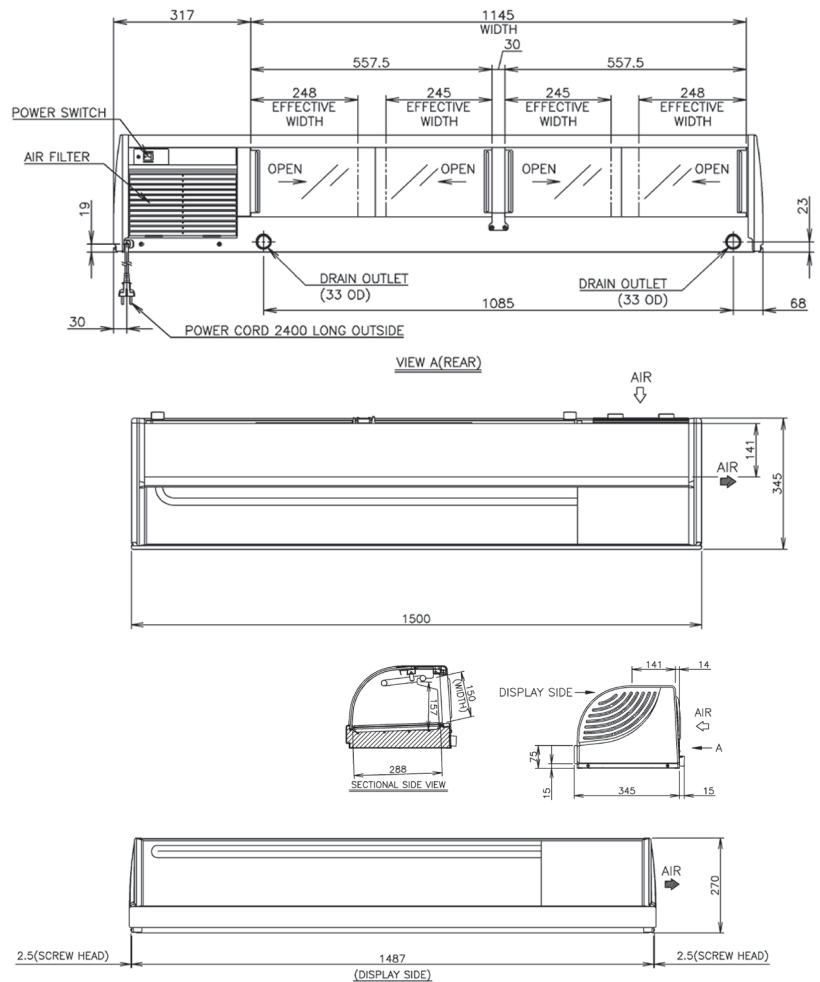
# HNC-150BE-R

Counter Showcase

## PRODUCT FEATURES

- Plate space on top of unit, 5.6 inches.
- Stable humidity and temperature levels are maintained instead of forced air circulation methods that dry out and ruin displayed sushi.
- Large diameter 1 inch drains at front.
- Larger front to back interior - 11 inches.
- Interior floor has a radius at all four sides.
- Self-contained refrigeration unit - easy to install.
- Condenser airflow is in the back and out the side.
- Large diameter upper evaporator with tin plating.
- Larger condenser face area improves cooling performance.
- Solid base food plates with radius groove to fit sushi foods.
- Base food plates can be turned upside down and used

## TECHNICAL DRAWING



## PRODUCT SPECIFICATION

Exterior	Clear Glass, ABS Plastic, PVC Plastic
Interior	Clear Glass, ABS Plastic, Stainless Steel
Effective Capacity	57L
Cooling	Air
Power Cord	2.4m
Dimensions: Inside,	1145mm (W) x 288mm (D) x 157mm (H)
Outside	1500mm (W) x 345mm (D) x 270mm (H)
Saturation Temperature	Approx 5 °C (Ambient temp 30°C , no load)
Weight Net/Gross (kg)	37 / 52
AC Supply Voltage	1 PHASE 220-240V 50Hz / 10Amp Plug
Amperage	Rated: 1.2A Starting: 6A
Refrigerant Charge	R134a / 110g
Operating Conditions	Ambient Temp.: 10 - 30°C Voltage Range: Rated Voltage ±6%



Descriptions and specifications are subject to change at any time, without notice. Illustrations for demonstration purposes.

Copyright © 2019 Hoshizaki Lancer Pty Ltd. All right reserved. E&OE Date: May 2019