



### 1200mm WIDE RESTAURANT SERIES 8 BURNER RANGE WITH 2 SPACE SAVER OVENS

The Garland Heavy Duty Restaurant Series is a commercial range that has been engineered for unmatched performance and durability.

Garland's exclusive cast-iron Starfire Pro® burners combine speed with precision and even heat distribution to improve efficiency and control. All of the burners in the range are made of cast-iron for better heat retention and lasting durability.

Featuring stainless steel construction with a large front 127mm 'plate rail' and backguard that matches the other Restaurant Series units giving a sleek clean finish.

2 piece burners are easy to remove and clean with protected individual pilot lights and flame failure as standard. Large 686mm deep work surface fits eight 300mm pots easily and grate design allows pots to slide across the surface easily.

Large easy-to-use control knobs sit atop the fully porcelain interior space saver ovens that accepts full sized sheet pans, has a 33.7MJ 'H' burner with flame failure and a strong adjustable door.

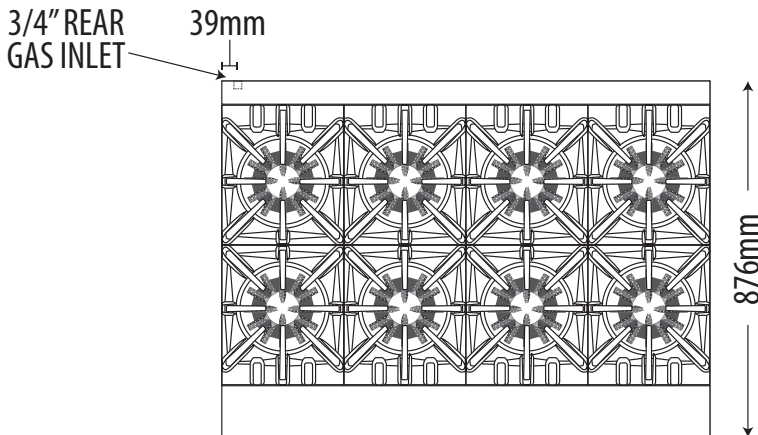
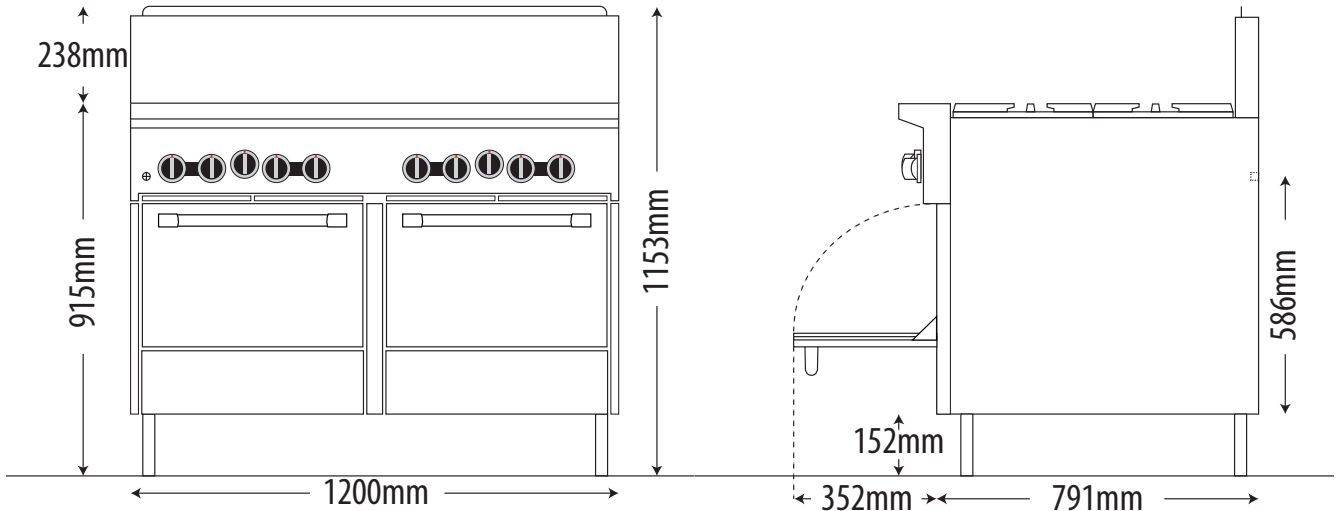


#### STANDARD FEATURES

- Piezo ignition for all concealed burners
- Manual ignition for all open burners
- 300mm stamped drip trays w/dimpled bottom
- Gas regulator
- 152mm Adjustable stainless steel legs
- Two oven racks included as standard
- Available in Natural or Propane Gas

#### OPTIONAL FEATURES

- Fixed Height Castors - GF-CSTR (Non Brake) GF-CSTRB (brake)
- Electronic ignition - Specify GFE48 (240V, 1P, 10A lead & plug not included)
- Flexible gas hose with quick disconnect and restraining kit - 432018-1200HK



#### DIMENSIONS

External Dimension: 1200W x 876D x 1153H mm

Working height : 915mm

Oven Interior : 508W x 660D x 330H mm

Combustible wall clearance: Side: 356mm, Rear: 152mm

#### TECHNICAL DATA

Gas Type: Natural or Propane

Total Output:	Natural	Propane
	312.2MJ	284MJ

Burner Ratings:	Natural	Propane
Open Burner	30.6MJ	28.5MJ
Oven	33.7MJ	28MJ

Gas Connection: 3/4"

#### SHIPPING DATA

Shipping weight: 259kg

Shipping Dimensions: 1651W x 1143D x 1257H mm

#### AGA APPROVAL NUMBER

AGA 7455 G

SPECIFICATIONS ARE SUBJECT TO CHANGE WITHOUT NOTICE.