



# Eswood

# Professional

# Warewasher

**ES160**

Professional Rack-Conveyor Warewasher



# Eswood

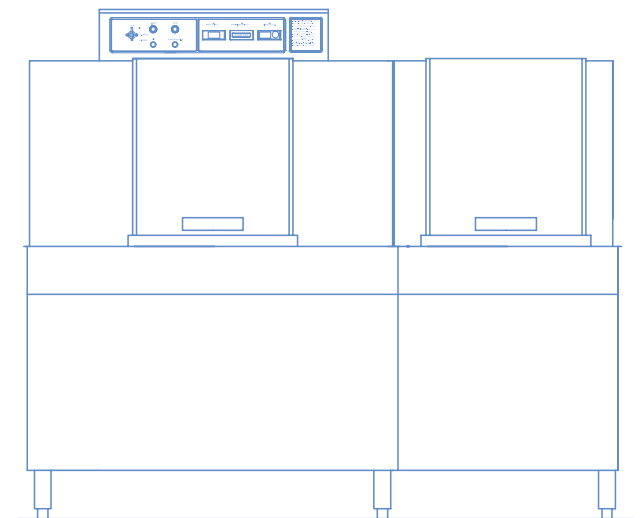
## Rack-Conveyor Warewasher

The Eswood ES160 Rack Conveyor Warewasher combine leading edge design innovations and Eswood's long standing reputation for manufacturing excellence to produce powerful, reliable and convenient wash system for high capacity professional catering applications.

The ES160 with capacity of up to 175 racks per hour is ideal for busy catering operations such as club, function and reception centres, hotel bistro/restaurants and mid size hospitals.

ES160 incorporate simple yet comprehensive controls. Top mounted control panel is away from water splashes and provides start/stop, electronic temperature control and digital temperature display for both wash and rinse.

ES160 conforms to the highest of health and sanitary standards, meeting FSANZ safe food codes and certifications in HACCP and WaterMark.








---

Door safety switches

---

Top Mounted Controls and Electrical Control Gear, away from water splash, easy access for Servicing

---

Machine operation inter-locked to Rinse Temperature

---

Fully panelled front and sides (avoiding water splash to motors etc. when dish wash area is being cleaned)

---

Capacity up to 175 racks per hour

---

Clutch controlled conveyor (providing protection to drive mechanism if racks jam in machine)

---

Low water protection (to wash tank elements)

---

Integral rinse booster heater 12 kW

---

Wash and rinse elements fitted with individual thermostats

---

Rinse economiser (pre-set to provide precise volume of rinse water irrespective of fluctuation in water supply pressure)

---

Maximum Water Consumption 480 Litres per hour

---



---

## OTHER OPTIONS

---

Extension Hoods and Vent Spigots at entry and exit ends

---

Angle Feed Unit

---

90° Entry and/or Exit Curves (powered by dishwasher)

---

180° Entry Curve (powered by dishwasher)

---

180° Entry and/or Exit Curves (self-powered)

---

6kW, 9kW or 12kW High Velocity Blower Dryer

---

Heat and Sound Insulating Panels

---

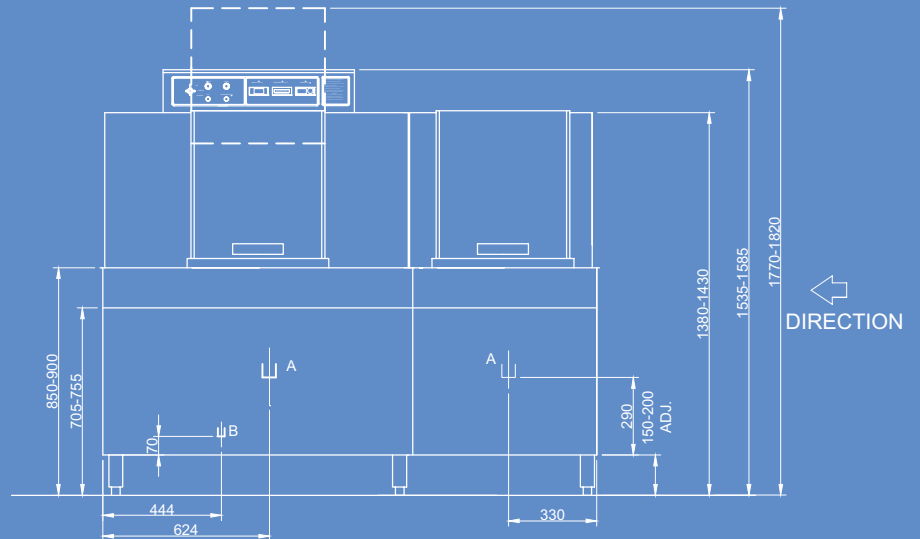
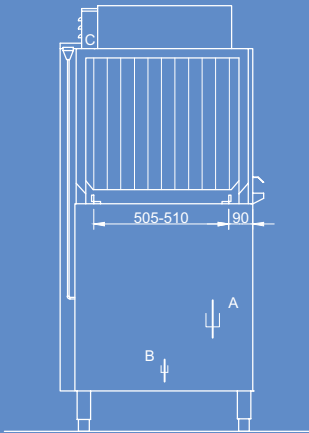
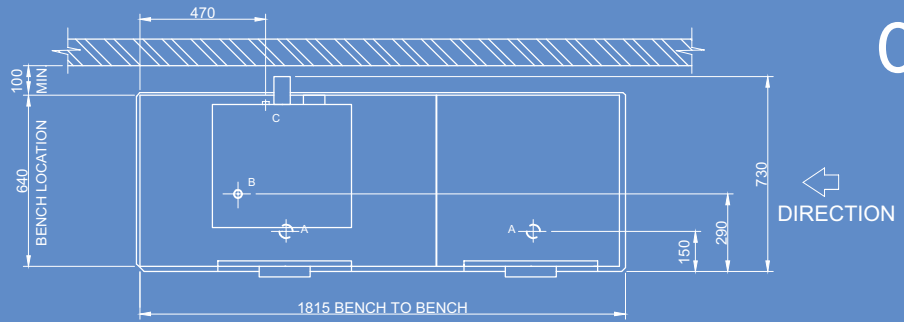
Rinse Pressure Booster Pump

---

Exit Bench (proximity) Trip Switch pre-wired into control box. This provides automatic shut down whenever exit bench becomes full

---

- A. Drain Connection 2 x 2" BSP
- B. Hot Water Connection 1/2" BSP, 380L/hr, 2-4 bar, 60°C-65°C min.
- C. Electrical Connection 415/50/3N Electric Total 24.5kW



# ES160

## Rack-Conveyor Warewasher

### ES160 Specifications

<b>DIMENSIONS (WxDxH)</b>	1820 x 730 x 1600 mm
<b>RACK SIZE (WxD)</b>	500 x 500 mm
<b>ELECTRICAL CONNECTION</b>	415V/50Hz/3N
<b>RATING</b>	24.5 kW
<b>CAPACITY</b>	160 to 175 racks per hour
<b>WATER SUPPLY</b>	2-4 bar, 60°C-65°C min.
<b>WATER CONSUMPTION</b>	480 L per hour

Dimensions may change without notice in accordance with product development and design

<b>TANK CAPACITY</b>	87 L
<b>CONVEYOR DRIVE</b>	180 watts (with safety clutch)
<b>PUMP MOTOR CAPACITY</b>	2.2 kW
<b>WATER HEATER</b>	9.0 kW
<b>WASH TEMPERATURE</b>	60 – 65°C
<b>RINSE BOOST CYLINDER CAPACITY</b>	14 L
<b>RINSE BOOST CYLINDER HEATER</b>	12.0 kW
<b>RINSE TEMPERATURE</b>	82°C minimum
<b>WEIGHT</b>	275 kg
<b>PACKED</b>	3.2 m <sup>3</sup>
<b>WATERMARK APPROVAL</b>	WM-022833
<b>HACCP APPROVAL</b>	PE-388-GE-09

Proudly Distributed By



eswood.com.au

211-217 Woodpark Road SMITHFIELD NSW 2164

T: 1800 013 123

E: sales@middleby.com.au

