

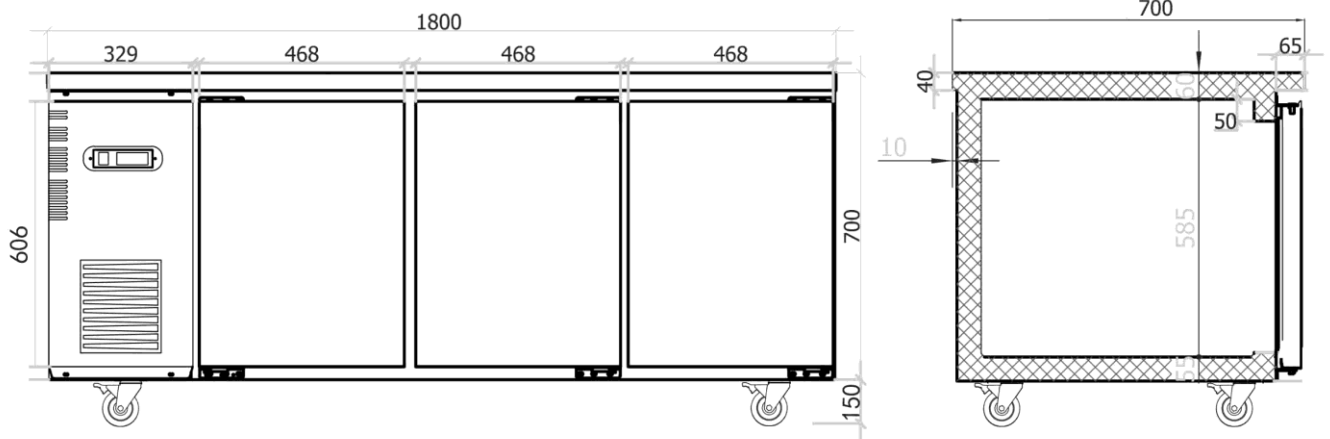


BESTTOP

CUF18-3
Under Bench Freezer
1800mm

PLAN VIEW

(unit:mm)



Product Specifications

Model	CUF18-3
Capacity(L)	460
Temperature Range	-15°C~-22°C
EXT Dimensions-WxDxH(mm)	1800*700*850
Gross Weight(KG)	105

Standard Inclusions

Finish(Interior&Exterior)	Stainless Steel
Shelves(Adjustable)	3

Gas Type

REFRIGERANT	R-290
-------------	-------

Electrical

Power Input(W)	330
Power Supply	240V / 50Hz

Performance

Drainage/Forced Evaporation Type	YES
Temperature Control Type	Digital Control
Cooling Type	Fan Cooling

Warranty

2 Years Parts&Labour +2 Years Parts with Registration

