

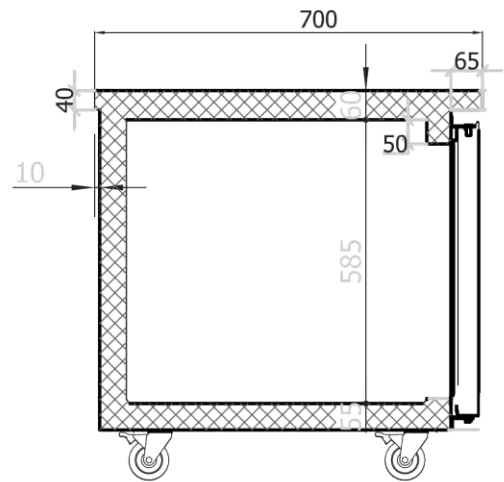
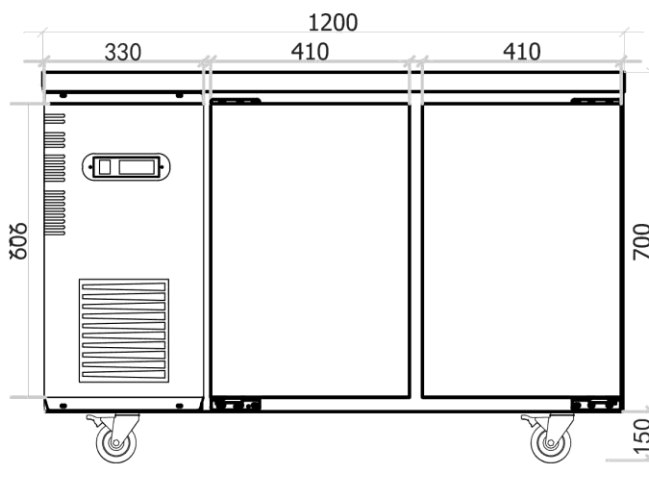


# BESTTOP

**CUF12-2**  
Under Bench Freezer  
1200mm

PLAN VIEW

(unit:mm)



## Product Specifications

Model	CUF12-2
Capacity(L)	260
Temperature Range	-15~-22°C
EXT Dimensions-WxDxH(mm)	1200*700*850
Gross Weight(KG)	85

## Standard Inclusions

Finish(Interior&Exterior)	Stainless Steel
Shelves(Adjustable )	2

## Gas Type

REFRIGERANT	R-290
-------------	-------

## Electrical

Power Input(W)	330
Power Supply	240V / 50Hz

## Performance

Drainage/Forced Evaporation Type	YES
Temperature Control Type	Digital Control
Cooling Type	Fan Cooling

## Warranty

2 Years Parts&Labour +2 Years Parts with Registration

