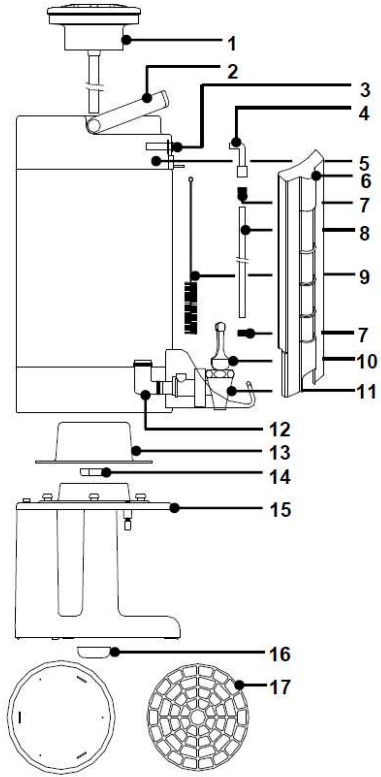
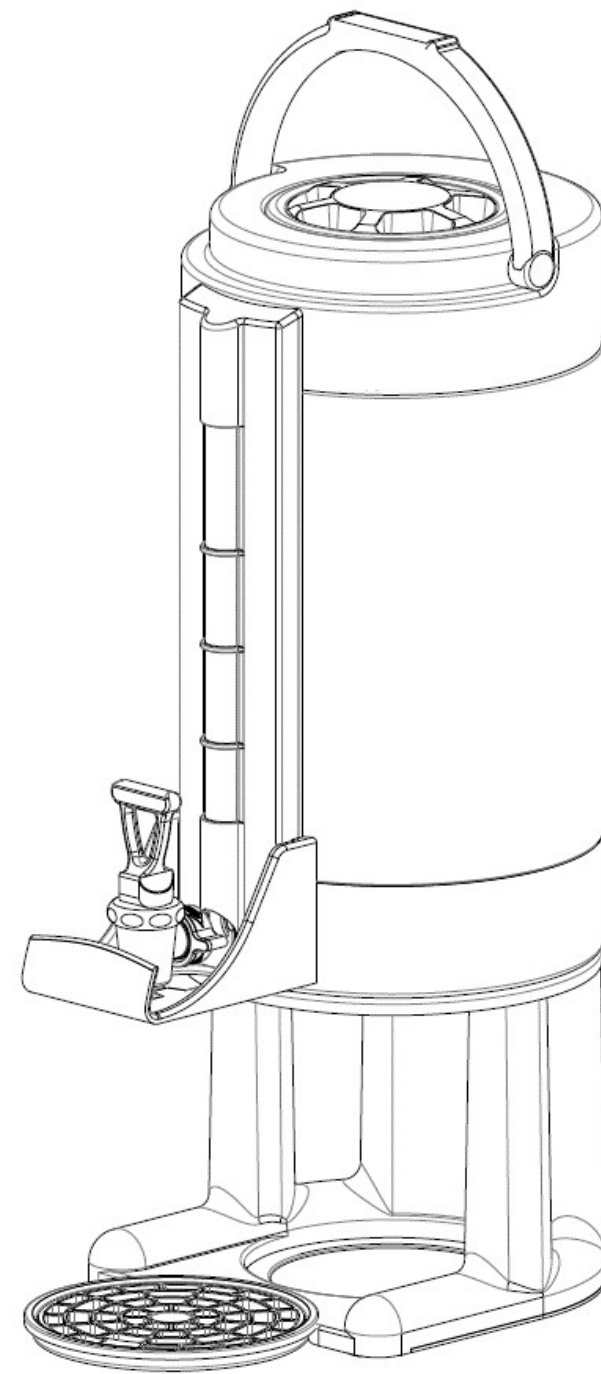


AQUAMATE



No.	Description
1	Lid & Filling Tube Assy
2	Handle
3	Fitting ,Gauge Glass/Elbow Silicone
4	Elbow ,Gauge Glass Black Plastic
5	Cover ,Top Black Plastic
6	Shield ,Gauge Glass
7	Seal ,Gauge Glass Silicone
8	Gauge Glass
9	Brush for Gauge Glass
10	Faucet Set (Handle Cover ,Screw)
11	Faucet Body
12	Fitting Faucet Elbow Silicone
13	Retainer , Liner Mounting
14	Nut , Black Plastic
15	Base Assembly Stand
16	Nut
17	Drip Tray Server



Gravity Dispenser Use

Use only coffee or water in your dispenser. Never use to dispense any other liquids. Preheating dispenser with hot water prior to use is recommended.

Cleaning Dispenser Liner

- Rinse out dispenser with hot water.
- Fill pot with a mild detergent solution, let stand for 15 minutes.
- Next scrub the inside of the dispenser with a soft sponge.
- Drain the soapy liquid from the inside of dispenser and rinse with clean water. Repeat until the water runs clear.
- Never submerge the entire dispenser.
- Do not use powders, liquids or any substance containing chlorine when cleaning the stainless steel portions of the dispenser.

Cleaning Dispenser Parts

- This dispenser is designed to be disassembled for cleaning of parts (See back page for disassembly order).
- In tepid water mixed with a mild detergent submerge and clean parts. Use a small brush to clean hard to reach areas.
- Be sure to check the small gauge glass hole located in the faucet. You can easily clean this with a small pipe cleaner.
- Rinse your cleaned parts in clear water.
- Place the parts in a mixture of water and a chloride sanitizing solution. Submerge parts for 5 minutes.
- Rinse all cleaned parts thoroughly in clear water.
- Allow cleaned parts to air dry.
- Reassemble your dispenser.

Replacing Sight Gauge Glass

- Gently hold on to the gauge guard and lift up and away from dispenser.
- Inside the gauge guard there are 2 extra gauge tubes for replacing broken or damaged tubes. Also inside one of the tubes is a cleaning brush.
- To replace the sight gauge tube, simply pull a tube out of it's holder.
- Next, gently pull back the tube and remove from the rubber elbow located on the top of tube.
- Once the top of the tube is free, lift the tube up and out, freeing the bottom portion from the dispenser.
- Place the glass tube into position and replace the gauge guard.
- These steps are to be used for replacing or cleaning sight gauge tubes.

Removing Dispenser Base Unit

- The base of this dispenser may be removed for faucet repair or to use the dispenser with a satellite serving station.
- Pull down the metal tab located to left and remove plastic wing nut from center of dispenser.
- Using the handle, turn the dispenser sideways. The dispenser is now free of the stand.
- Reverse above steps to reattach the dispenser to the base.

Removing The Faucet

- To remove the faucet or the silicone elbow, begin by removing the base.
- Loosen the plastic nut located on the bottom of the liner and remove the plastic cover.
- Squeeze the 2 wire clamps to loosen them and detach the silicone elbow from the faucet. Then loosen the plastic wing nut and slide the faucet out.
- Reverse above steps to reattach the faucet to the dispenser.