

## ALFA43XEH



Professional electronic, humidified, convection oven in stainless steel, 4 trays 435x320mm

Product Family	Ovens
Type	Convection Ovens
Range	4 trays 435x320mm
Line	4 trays 435x320mm

### TECHNICAL SHEET

#### TECHNICAL DATA

: electronic
: 4 trays
: 40 with pre-heating function
: 230V 1N 50Hz / 3.0 kW
: 602x584x537 mm
: 80mm
: 50 - 250°C
: 0 - 60' / Manual
: 1
: enamelled
: tilting opening door
: 435x320mm
: electrical

: Convection

## ACCESSORIES

[3729](#) - 4 chromed wire grids kit, 441x340mm

[3735](#) - 4 chromed wire waved grids kit, 435x320mm

[3820](#) - Kit of 4 trays made of aluminized sheet, 435x320mm

[3755](#) - 4 perforated aluminium trays kit, 435x320mm

[3780](#) - Kit of 4 nonstick trays, 435x320mm

[TVL40](#) - Frame stand in stainless steel with tarys guide, for oven series ALFA43

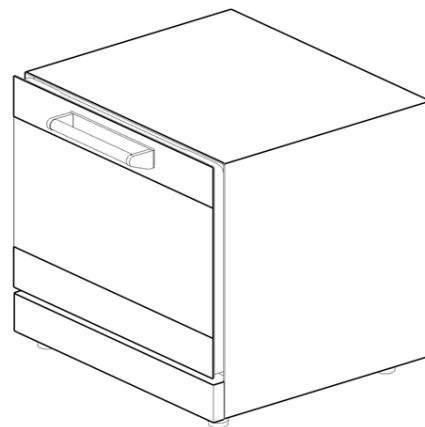
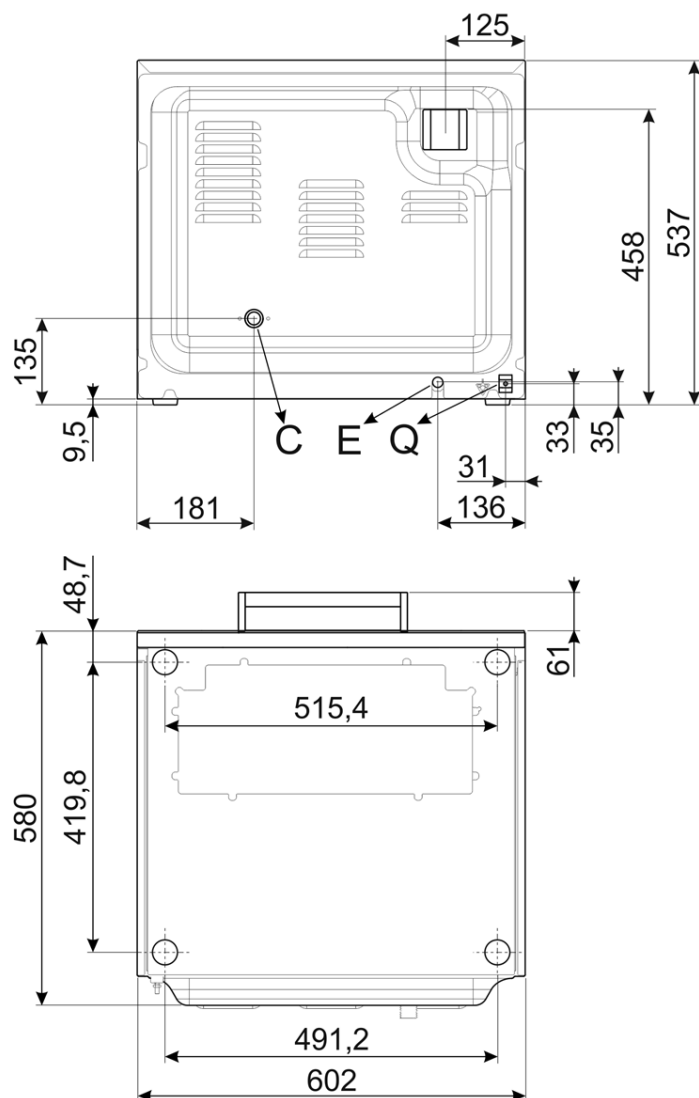
[3926](#) - Air flow reduction kit (1 pc), for ovens series ALFA43, ALFA45

## EQUIPMENT

1 [3820](#) - Kit of 4 trays made of aluminized sheet, 435x320mm

Do you need more information about this product? Contact us and we will reply to you as soon as possible.

[CONTACT US](#)



Q	MORSETTO EQUIPOTENZIALE EARTH TERMINAL
E	CAVO ALIMENTAZIONE ELETTRICA ELECTRICITY SUPPLY CABLE
C	TUBO DI CARICO (solo su alcuni modelli) FILLER HOSE (on some models only)