

# Sinks & Basins



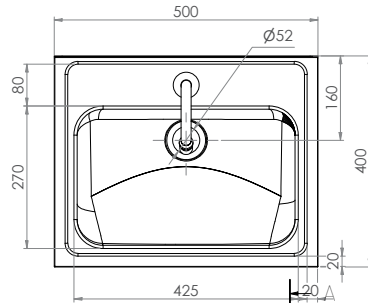
## Hands Free Knee Operated Basin

### AB-KNEEHBT-1 (with tempering valve)

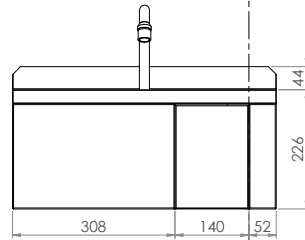
- 11.5L capacity
- Shroud - Constructed from 1.2mm 304 grade stainless steel
- Basin - Constructed from 1mm 304 grade stainless steel
- 50mm splashback
- 40mm outlet - Suits PW40 & SSBW-40
- 500kPa Maximum Working Pressure
- WELS 5 Star 6LPM



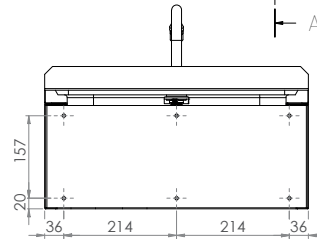
Top



Front

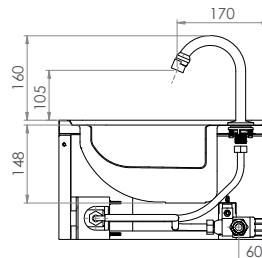


Back



Mounting Holes  $\varnothing$  6.8 x 6

Side



Suggested mounting height from floor level for standard use - 850mm-900mm



Tapware parts have a 2 year onsite warranty