

| | |
|---------------|---------------------------|
| MANUFACTURER: | Roband Australia |
| CATEGORY: | Pie Warmers |
| MODEL / DESC: | Stainless Range |
| ORIGIN: | Australia |
| WARRANTY: | 1 Year (refer to website) |



ROBAND®

Stainless Steel Design Pie Warmers

3 Sizes | Various Configurations | Ideal for Work or Construction Sites

Stainless steel design pie warmers are ideal for lunch rooms, canteens and construction sites. Models 40DT and 80DT have removable drawers with stainless steel fronts and are designed for pies, hot pastries and sausage rolls. The 83DT has sliding steel doors, three removable wire shelves and is designed for pies and food containers. All units have thermostat control, thermometer and removable crumbs trays.



40DT

FEATURES

- Precise thermostat control
- Easily removable shelves, doors, drawers and crumb tray for easy cleaning
- Double skin cavity for even temperature and low running costs
- Thermometer
- Single phase 10 Amp plug



83DT

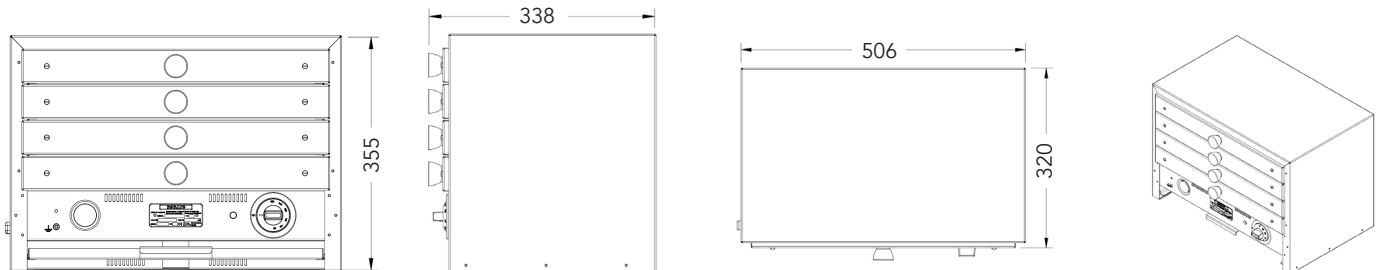
SPECIFICATIONS

| MODEL | DESCRIPTION | PIE CAPACITY (Approx.) | POWER Watts | CURRENT Amps | DIMENSIONS w x d x h (mm) |
|-------|---------------------|------------------------|-------------|--------------|---------------------------|
| 40DT | 4 removable drawers | 40 | 1250 | 5.4 | 505 x 320 x 360 |
| 80DT | 6 removable drawers | 80 | 1250 | 5.4 | 585 x 350 x 485 |
| 83DT | Sliding steel doors | 40 | 1250 | 5.4 | 585 x 350 x 485 |

DIMENSIONS

All measurements are in millimetres ~

40DT



~Line drawings not to scale

Page 1 of 2

December 2025

ROBAND®

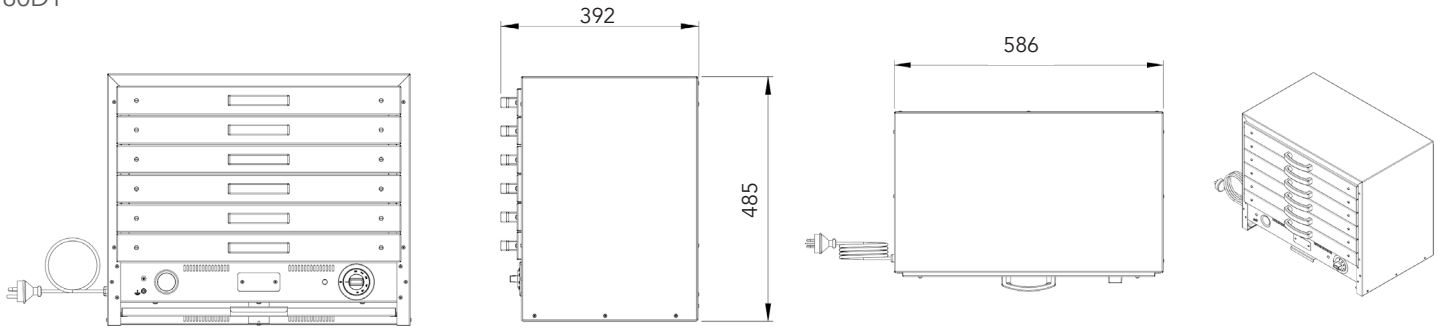
Roband Australia Pty Ltd

1 Inman Road, Cromer, NSW 2099

P +61 2 9971 1788 | E sales@roband.com.au | W roband.com.au

Stainless Steel Design Pie Warmers

80DT



83DT

