



EX-TRACTOR

automatic sieve

- Is a modern motorized vegetable mill which, thanks to its interchangeable sieve system, allows you to process fruit and vegetables at great speed. It can also be used as a pitter for ripe fruit, where the pulp can be easily separated from the bone.
- Machine with simple use and easy maintenance, quick and easy even in cleaning operations.
- Machine body made of AISI 304 stainless steel
- Hopper, head, spatula blade and sieves are made of Aisi 304 stainless steel, they can be easily disassembled and washed in the dishwasher
- Different filters with 1, 3 and 5 mm mesh available, not included.
- Perfect for fruit and vegetable jams and compotes, excellent for tomato purée and vegetables in general.
- Useful for extracting both fish and meat concentrates using cooking juices.
- Equipped with two containers to collect waste and refined product separately



3 cylindrical sieves available, not included



Easy disassembly



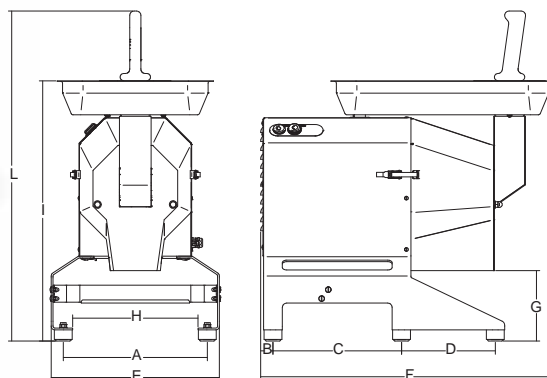
IP 67 stainless steel controls



Stainless steel paddle structure



Easy cleaning



| | | | | | A | B | C | D | E | F | G | H | I | L | | | |
|------------|---------|--------|------|----|-----|----|-----|-----|-----|-----|-----|-----|-----|-----|----|-------------|----|
| | watt/HP | r.p.m. | lt | mm | mm | mm | mm | mm | mm | mm | mm | mm | mm | mm | kg | mm | kg |
| Ex-Tractor | 745/1 | 1ph | 1300 | 10 | 323 | 28 | 288 | 210 | 377 | 657 | 158 | 281 | 583 | 739 | 38 | 750x580x800 | 49 |