

SIRMAN PPJ20 POTATO PEELERS

41002003F



Main Features

- AISI Stainless steel body
- Transmission system with self-tensioning belt Poli - V
- High efficiency ventilated motors for continuous operation
- Stainless Steel peeling disc
- Patented removable dishwashing safe container and bottom peeling disc (no tools required).
- Easy to replace abrasive surface
- PP abrasive walls with easily replaceable mantle by the operator
- Stainless steel outlet opening with quick and sealed locking
- Microswitch on the lid
- Microswitch on outlet opening
- S/S trestle and sieve for filter catchment
- Easy service and easy access to the Components
- Automatic unloading system
- Fast water inlet connection
- Adjustable S/S feet can be fixed to the floor



SPECIFICATIONS

| | |
|---------------|--|
| Voltage | 400-415V |
| Power | 1102 Watts, 1.5HP, 3 phase |
| Speed | 275 RPM |
| Weight | 68 kg |
| Plug Supplied | NO |
| Capacity | 20 kg |
| Volume | 35 L |
| Production | 340 kg/hr |
| Warranty | 4 Year Warranty (2 yr Labour 4 yr Parts) |



PPJ 20 24 Volt controls



Fast connection for water entry



Optional trestle with sieve

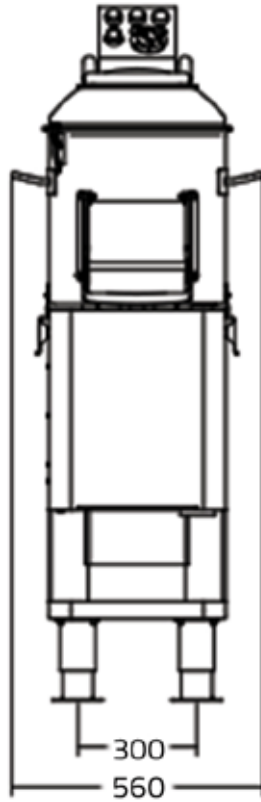
DIMENSIONS

| | |
|-----------------|-------------|
| External Width | 560mm |
| External Depth | 880mm |
| External Height | 1190/1545mm |

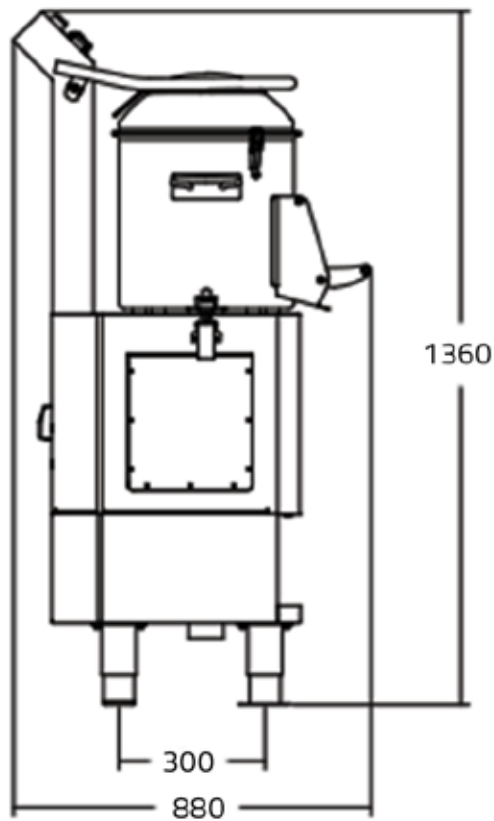


Phone: 1800 183 818 Email: support@thegoodlady.com.au
Website: www.thegoodlady.com.au

FRONT



SIDE



We reserve the right to alter specifications without notice.