

Main Features

- Suitable for Medium and Large Applications
- Reliable, user-friendly and easy to clean
- AISI 304 stainless steel body
- Self-supporting structure with 4 stainless steel wheels
- Powerful, air-cooled motor with oil bath gear box reducer
- High-performance and easy to remove kneading paddle
- Interlocked stainless steel lid
- Convenient removable tunnel to add liquid ingredients during processing
- Stainless steel worm, head and ring
- Full availability of any kind of dies
- IP67 stainless steel controls
- Forced air cooling system for heavy duty use



SPECIFICATIONS

Power	1875 Watts / 2.5 HP Single Phase
Weight	118 kg
Plug Supplied	No
Hopper Capacity	9.8 kg
Hopper Volume	21 L
Die Size	Ø 110
Production	20 Kg/hr
Warranty	4 Year Warranty (2 yr Labour 4 yr Parts)

ACCESORIES

Variable-speed pasta cutter

Ravioli maker and moulds

RACK: tray holder

DRYER: pasta dryer

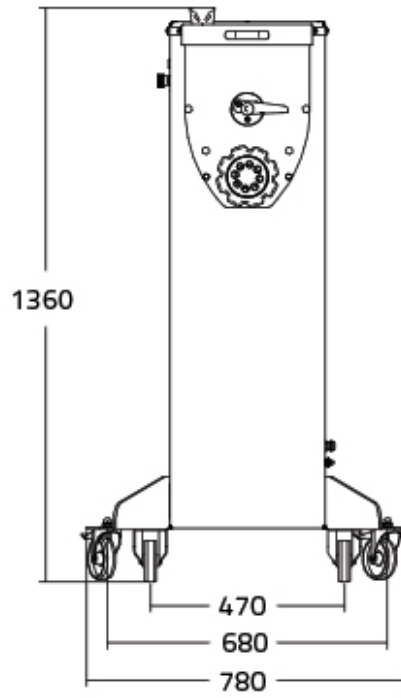
Raviomatic support

Full Range of Dies & Cutters - Back page

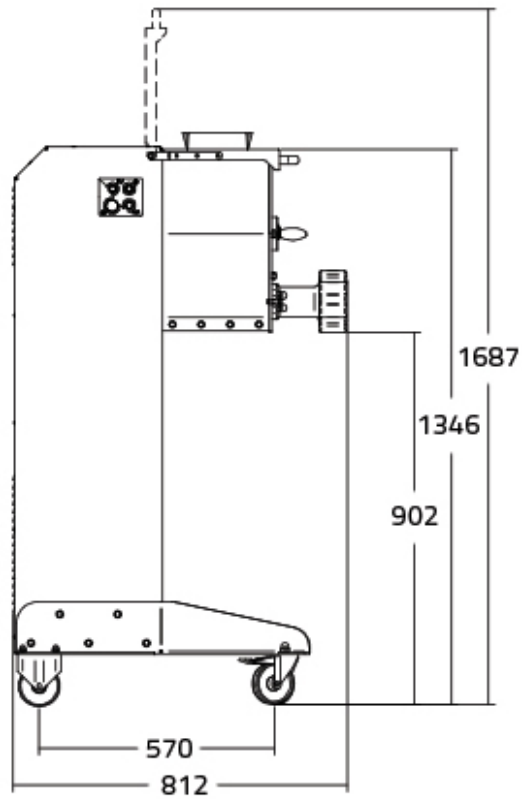
DIMENTIONS

External Width	780mm
External Depth	812mm
External Height	1360mm

FRONT



SIDE



We reserve the right to alter specifications without notice.

MODEL NUMBER	DESCRIPTION	DIMENSION
40117120	Pastacutter	
LF202510072A	Raviomatic support	
LF202510062	Tray-holder Rack	
LF202510068	Pasta dryer for RACK	
28183013	Bigoli / Pici toscani	3MM
28183021	Linguine	3X1.6MM
28183021A	Linguine	3.5X1.6MM
28183025	Spaghetti quadri / Chitarrine Spaghetti	1.8MM
28183026	quadri / Chitarrine	2.5MM
28183034	Tagliatelle	6MM
28183069	Maccheroni lisci	25MM
28183077	Maccheroni rigati	8MM
28183078	Maccheroni rigati	10MM
28183220	Casarecce / Strozzapret	8.8MM
28183240	Fusilli	8.4MM 3P
28183242	Fusilli	15.5MM 2P
28183388	Conchiglia rustica	
28183000	Adjustable sheeter	SHEETER
28183116	Penne 8,5 mm with knife	8.5MM
40117112	knife+spacers	
CUSDO101	Custom die	
CUSPO101	Custom die for Penne	

We reserve the right to alter specifications without notice.



THE
GOOD
LADY

Phone: 1800 183 818 Email: support@thegoodlady.com.au
Website: www.thegoodlady.com.au