

SYNTHESIS 12/100 ELECTRIC CONVEYOR OVEN

2SV4504A



SPECIFICATIONS

Voltage	Trifase, 400 Vac 50-60 Hz	
	Current at 400V 3N~ 73 Amp	
Max Power	44900 Watts	
Weight	450 kg	
Plug Supplied	No, lead only	
Noise level	<70 Decibel	
Conveyor Width	40" (1010 mm)	
Conveyor Length	2330mm	
Chamber Length	1300mm	
Chamber Height	100mm	
Cable Length	2me	
Time Range	2:20 - 30 minutes or complete halt	
Thermostat	320°C	
Ambient Temp	0 - 40°C	
Max Humidity	95% Humidity without condensation	
Warranty	4 Year Warranty (2 yr Labour 4 yr Parts)	



Main Features

- Made entirely from stainless steel
- Double glazed full width inspection door
- Easy access for thorough cleaning
- Cooling system for contact parts
- Omnidirectional wheels with breaks
- Conveyor belt with variable speed down to a complete halt
- 100 mm high cooking chamber
- Fine tuning of the ventilation flow
- Jets of hot air completely wrap the product as it moves along the wire mesh conveyer giving an evenly cooked result time after time
- All Synthesis ovens are stackable so you can step up your productivity to meet peak demand
- Total control of Top heating % Power and Bottom Heating % Power allowing total control.
- When you don't need to produce much you can save on energy by using just one baking module
- Management of 6 cooking programs: for each program you can set the cooking time, temperature and min/max adjustments to the power % of top / bottom Elements.
- Economy function keeps the oven at a lower temperature if it doesn't need to be operated at full working temperature
- Timer for programmed start, digital clock and self diagnostics

DIMENSIONS

External Width	2450mm	Internal Width	1300mm
External Depth	1820mm	Internal Depth	1000mm
External Height	720mm	Internal Height	100mm

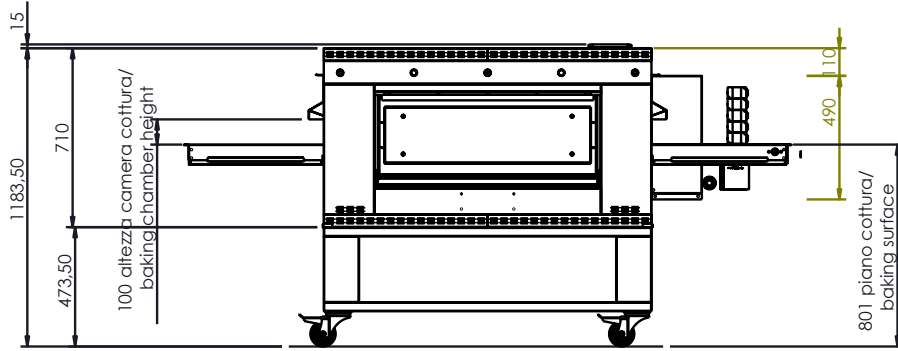


Phone: 1800 183 818 Email: support@thegoodlady.com.au
Website: www.thegoodlady.com.au

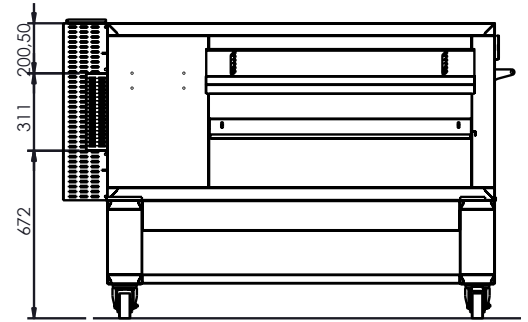
SYNTHESIS 12/100 SINGLE STACK CONVEYOR



FRONT

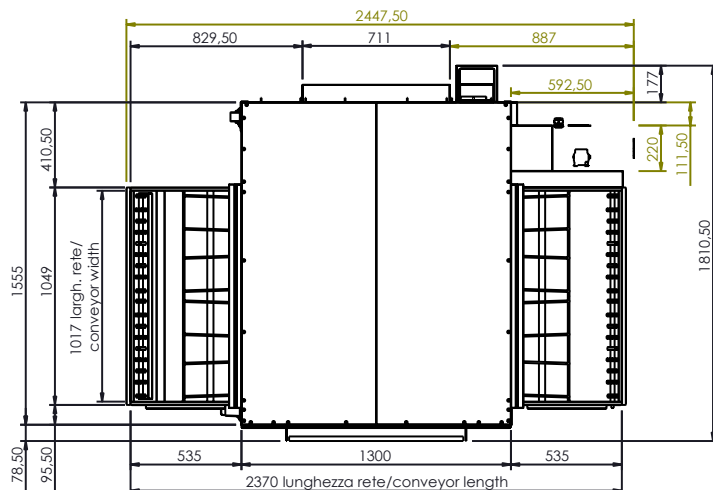


SIDE

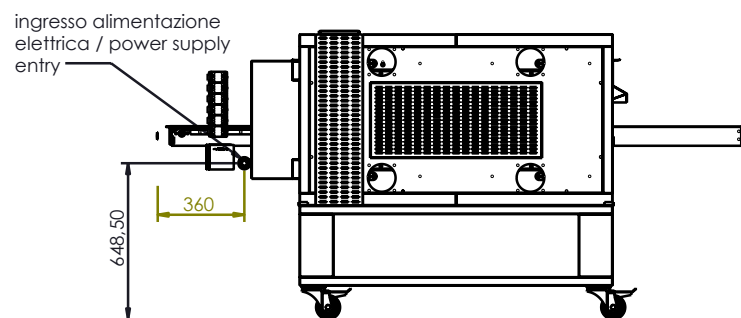


jlabi L jlabi	ml q b k w^ = L = ml t b o	
	GAS kW-(Kcal/h)	ELETTRICA kW
12/100V EL.		44+0.88

TOP



REAR



We reserve the right to alter specifications without notice.



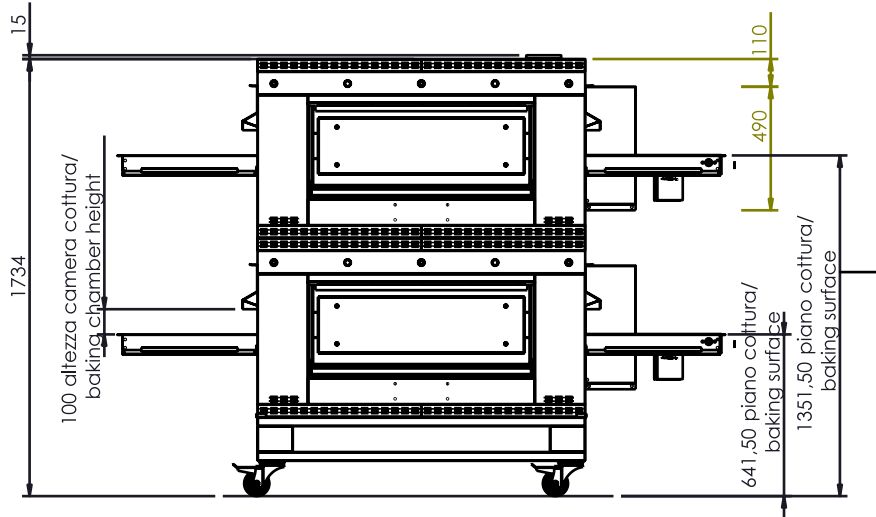
THE
GOOD
LADY

Phone: 1800 183 818 Email: support@thegoodlady.com.au
Website: www.thegoodlady.com.au

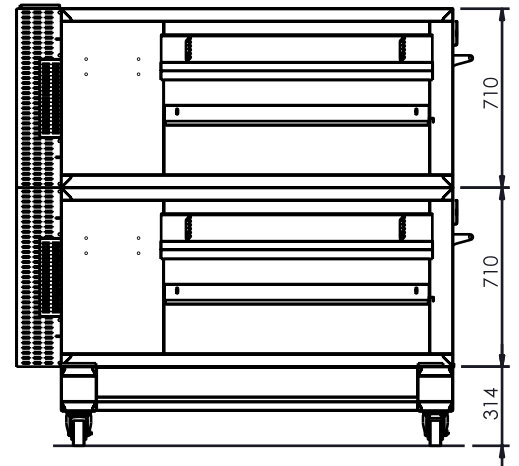
SYNTHESIS 12/100 DOUBLE STACK CONVEYOR



FRONT

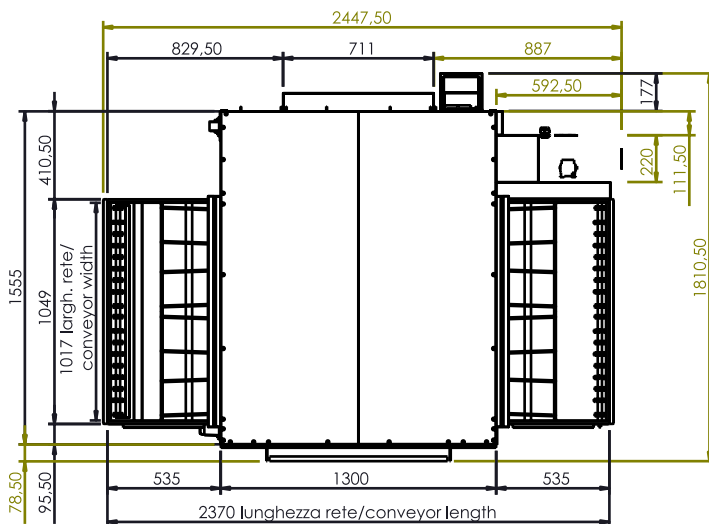


SIDE

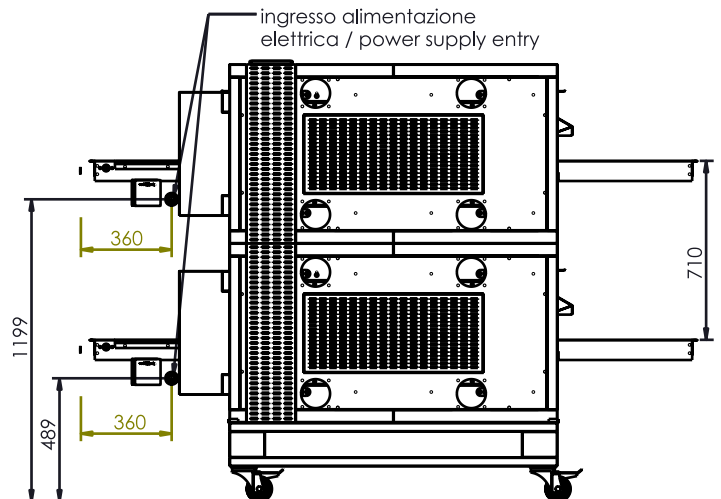


MODELLO / MODEL	POTENZA / POWER	
	GAS kW-(Kcal/h)	ELETTRICA kW
12/100V EL.		44+0.88
TOTALE N°2 MODULI/ TOTAL N°2 MODULES		88+1.76

TOP



REAR



We reserve the right to alter specifications without notice.



THE
GOOD
LADY

Phone: 1800 183 818 Email: support@thegoodlady.com.au
Website: www.thegoodlady.com.au