

# TC 12-22 DAKOTA

## tritacarne meat grinders



TC 22 DAKOTA



TC 22 DAKOTA FX

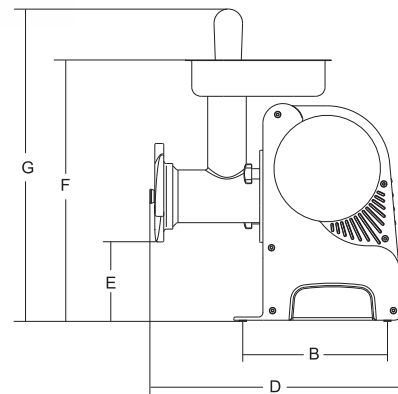
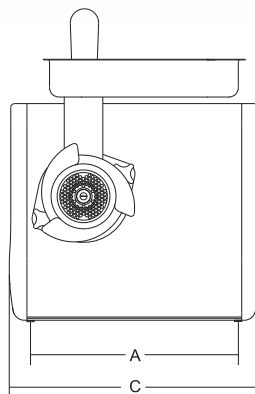
- Easily transportable thanks to practical handles.
- Anodized aluminum body and ABS shockproof or s/steel sides.
- Generous ventilated motor.
- reduction system in an oil bath gears.
- hardened and ground helical gears.
- Mouth stainless steel AISI 304 meat grinder (or aluminum on mod. 22).
- S/steel plate and knife.
- Controls with standard reverse gear.

**CE version with:**

- 24 volt controls and NVR device.



Optional tomato sauce making for TC12



					A	B	C	D	E	F	G			
	watt/Hp		Kg/h.	ø mm	mm	mm	mm	mm	mm	mm	mm	kg	mm	kg
<b>TC 12 Dakota</b>	1ph 750/1 3ph 1.100/1.5	1ph/3ph	95	6	310	225	395	360	130	415	485	24	570x750x800	34
<b>TC 12 Dakota FX</b>	1ph 750/1 3ph 1.100/1.5	1ph/3ph	95	6	336	210	450	414	140	405	465	24	570x750x800	34
<b>TC 22 Dakota</b>	1ph 750/1 3ph 1.100/1.5	1ph/3ph	120	4.5	310	225	395	360	115	415	485	26	570x750x800	36
<b>TC 22 Dakota FX</b>	1ph 750/1 3ph 1.100/1.5	1ph/3ph	120	4.5	336	210	460	450	127	411	472	26	570x750x800	36