

SYNTHESIS 11/65 GAS CONVEYOR OVEN 1SV440B



SPECIFICATIONS

Voltage	Single Phase, 230 VAC, 50/60 Hz
	Current at 220-240 V~, 2A
Max Power	450 Watts
Flame Control	Electronic without pilot
Gas Absorption	86.4 Mj/h NAT Gas, 86.4 Mj/h UPLG Gas
Injector Diameter (NAT)	(G20 - 20 mbar) - 4 x 2.15 mm
Injector Diameter (UPLG)	(G30 - 28...30 mbar) - 4 x 1.20 mm
Min pressure (NAT)	(G20 - 20 mbar) - 0.32Kpa
Max pressure (NAT)	(G20 - 20 mbar) - 1 kPa
Min pressure (UPLG)	(G30 - 28...30 mbar) - 0.9Kpa
Max pressure (UPLG)	(G30 - 28...30 mbar) - 2.75 kPa
Consumption (NAT)	(G20 - 20 mbar) - 2,540 m3/h
Consumption (UPLG)	(G30 - 28...30 mbar) - 1.893 Kg/h
Gas Pipe	1/2"
Weight	252 kg
Conveyor Width	26" (650 mm)
Conveyor Length	1875 mm
Chamber Length	1100 mm
Chamber Height	100mm
Cable Length	2m
Plug Supplied	Yes, 10 amps
Noise level	< 70 decibels
Max Humidity	95% without condensation
Ambient Temperature	0 - 40°C
Thermostat	320°C
Time Range	1:45 minutes - 30 minutes (or complete halt)
Warranty	4 Year Warranty (2 yr Labour 4 yr Parts)



Main Features

- Made entirely from stainless steel
- Double glazed full width inspection door
- Easy access for thorough cleaning
- Cooling system for contact parts
- Omnidirectional wheels with breaks
- Conveyor belt with variable speed down to a complete halt
- 100 mm high cooking chamber
- Fine tuning of the ventilation flow
- Jets of hot air completely wrap the product as it moves along the wire mesh conveyer giving an evenly cooked result time after time
- All Synthesis ovens are stackable so you can step up your productivity to meet peak demand
- Management of 6 cooking programs: for each program you can set the cooking time and temperature
- Economy function keeps the oven at a lower temperature if it doesn't need to be operated at full working temperature
- Timer for programmed start, digital clock and self diagnostics

DIMENSIONS

External Width	2000mm	Internal Width	1100mm
External Depth	1400mm	Internal Depth	650mm
External Height	550mm	Internal Height	100mm

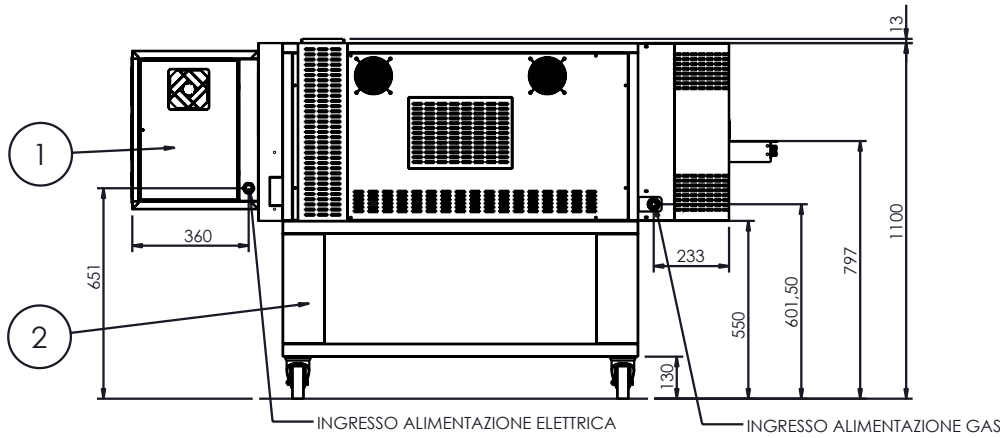


Phone: 1800 183 818 Email: support@thegoodlady.com.au
Website: www.thegoodlady.com.au

SYNTHESIS 11/65 SINGLE STACK CONVEYOR

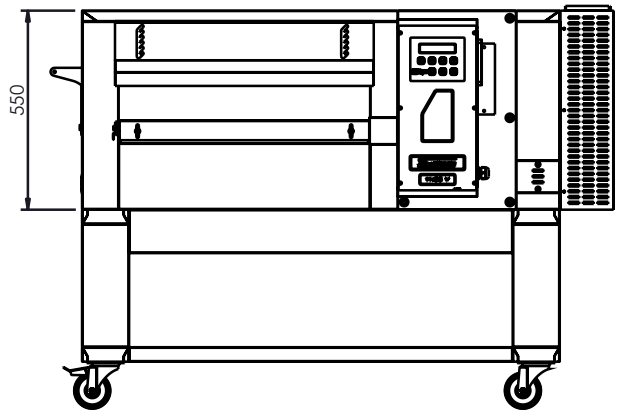


FRONT

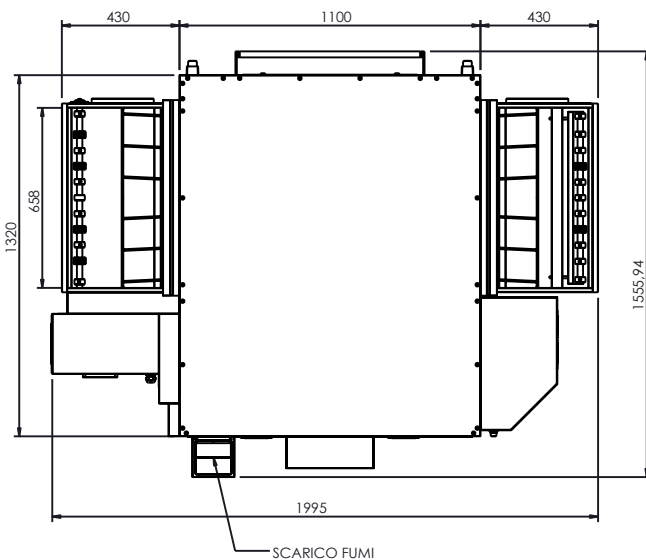


Num. articolo	Quantità	Descrizione	Potenza
1	1	SYNTHESIS 11/65V GAS	24+0.81 kW
2	1	BASAMENTO H=550	-

SIDE



TOP



We reserve the right to alter specifications without notice.



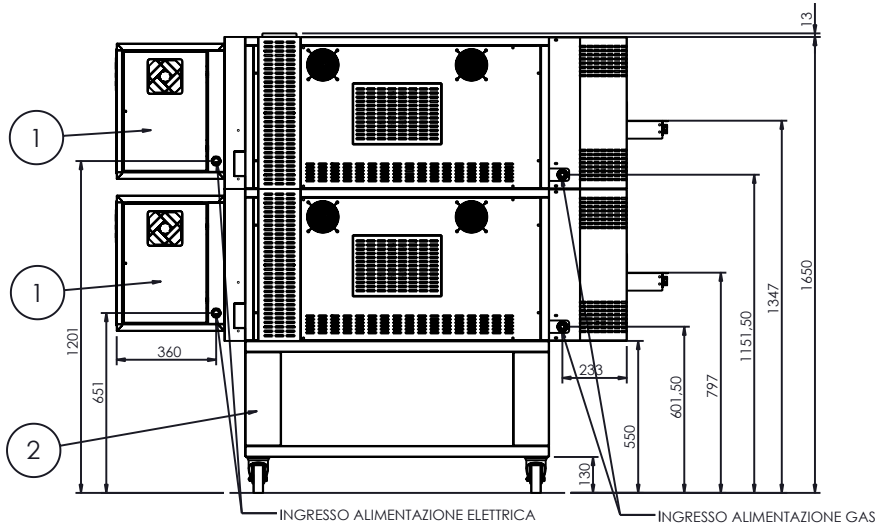
THE
GOOD
LADY

Phone: 1800 183 818 Email: support@thegoodlady.com.au
Website: www.thegoodlady.com.au

SYNTHESIS 11/65 DOUBLE STACK CONVEYOR



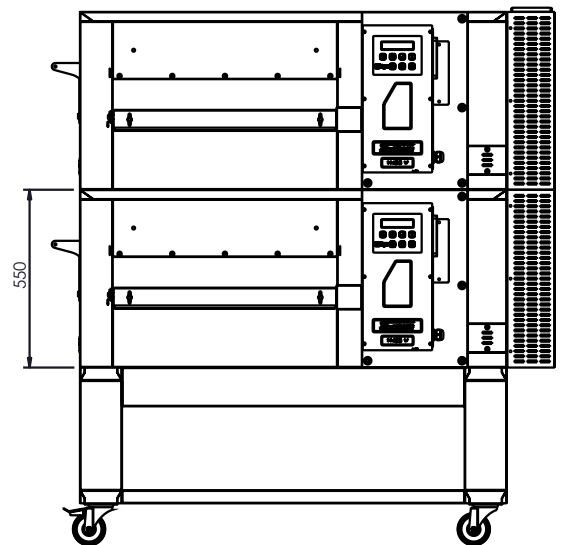
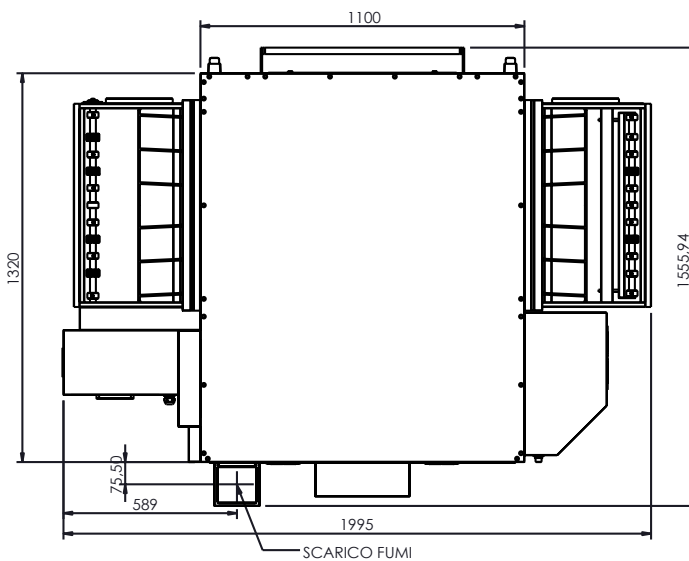
FRONT



SIDE

Num. articolo	Quantità	Descrizione	Potenza
12		SYNTHESIS 11/65V GAS	48+1.62 kW
21		BASAMENTO H=550	-

TOP



We reserve the right to alter specifications without notice.



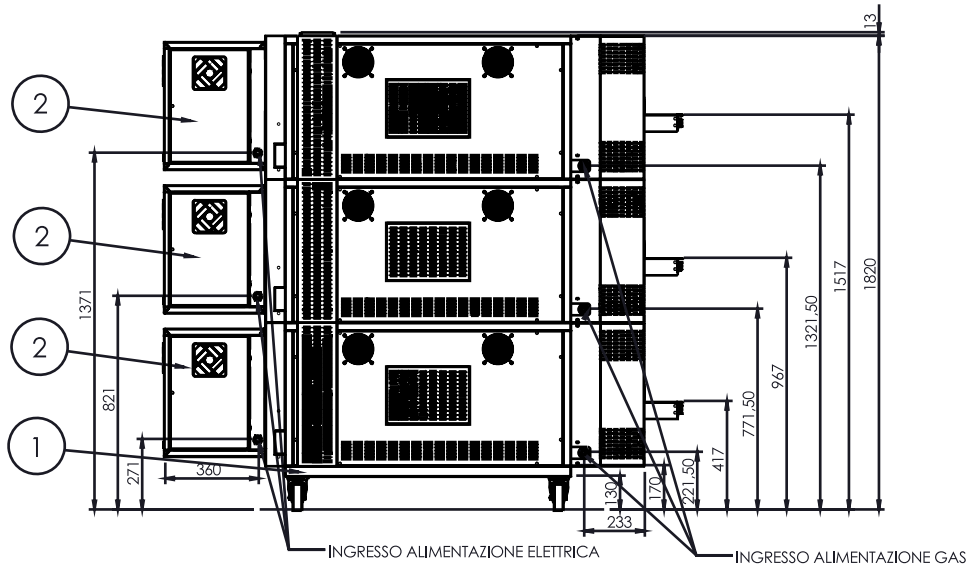
THE
GOOD
LADY

Phone: 1800 183 818 Email: support@thegoodlady.com.au
Website: www.thegoodlady.com.au

SYNTHESIS 11/65 TRIPLE STACK CONVEYOR

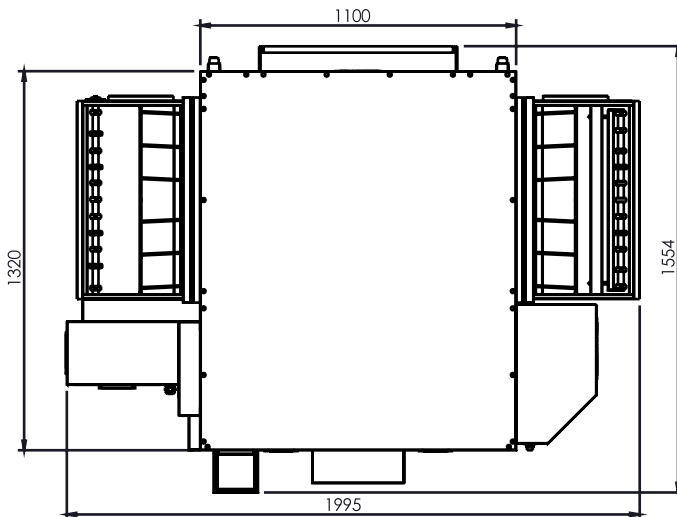


FRONT

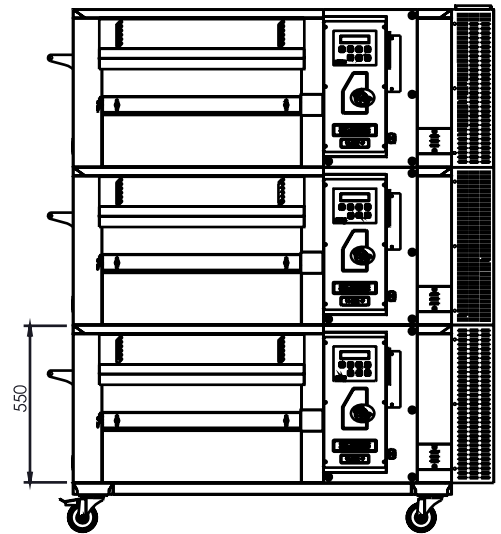


Num. articolo	Quantità	Descrizione	Potenza
1	1	BASAMENTO H=170	-
2	3	SYNTHESIS 11/65V GAS	72+2.43 kW

TOP



SIDE



We reserve the right to alter specifications without notice.



THE
GOOD
LADY

Phone: 1800 183 818 Email: support@thegoodlady.com.au
Website: www.thegoodlady.com.au